

APPLICATIONS

Ideal for emptying ponds, fountains, swimming pools, for pumping water from septic tanks and for drainage jobs in and around home and garden.

FEATURES

- Float switch for automatic pump operation
- Easy to handle
- Built-in thermal protection (1 x 240 V)
- KPB Vortex 330 handles particles up to 25 mm

CONSTRUCTION

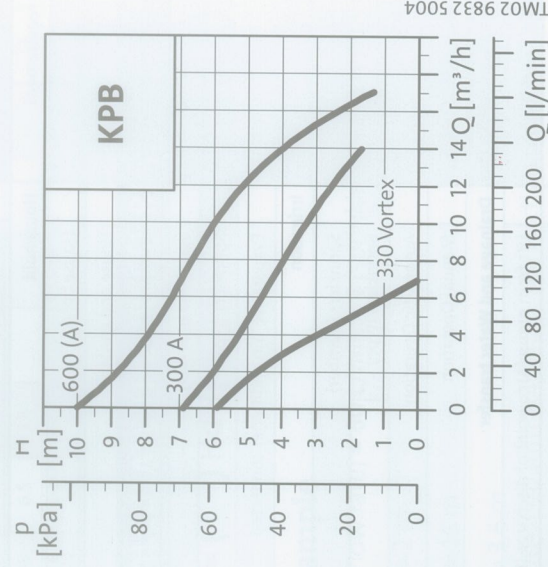
- Technopolymer pump body and impeller
- Submersible motor 1 x 240 V, IP68, Class F, with built-in overload protection and capacitor



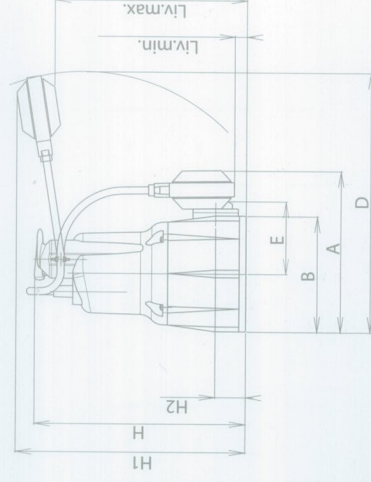
2 YEAR
WARRANTY



KPB 600A, KPB300A and KPB Vortex 330



DIMENSIONS



TECHNICAL FEATURES / PERFORMANCE

Pumps	Cable (m)	P2 (kW)	I ph In (A)	Water temp (°C)	Outlet	Dimensions			Weight (kg)	I/min m³/h	Performance						
						A	B	D			H	0	50	100	150	200	250
KPB300A	5	0.22	1.5	0/35	1 1/2" F	185	140	225	275	4.5	7	5.5	4.6	3.7	2.5	-	-
KPB600A	5	0.55	3.4	0/35	1 1/2" F	200	160	225	376	6.7	10	8.3	7.2	6.3	5.2	3.3	-
KPB Vortex 330	5	0.18	0.9	0/40	1 1/2" F	205	165	250	300	4.5	6	4	1	-	-	-	-